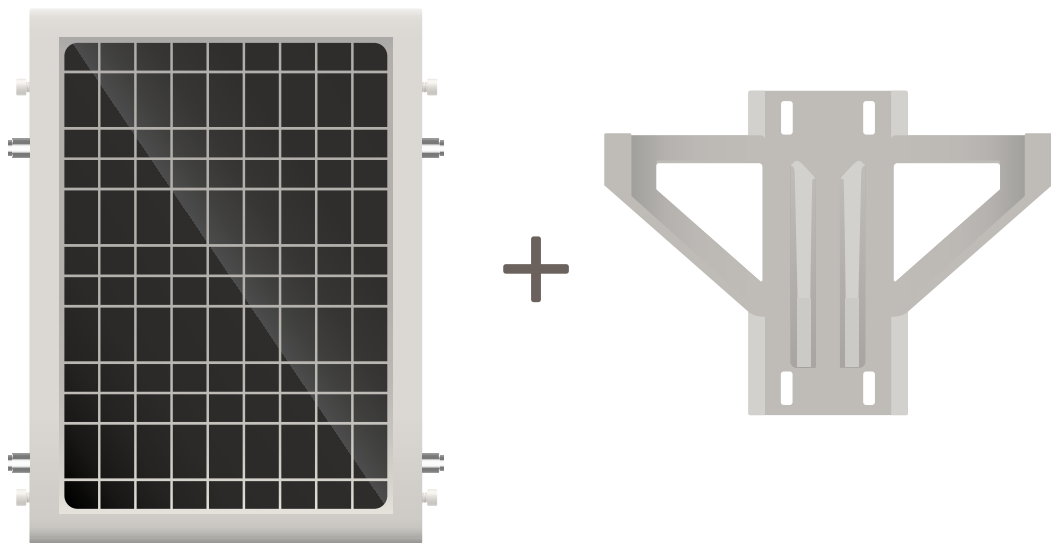




QUICK START GUIDE

# POLE MOUNT

NEXTLINK (NL4)

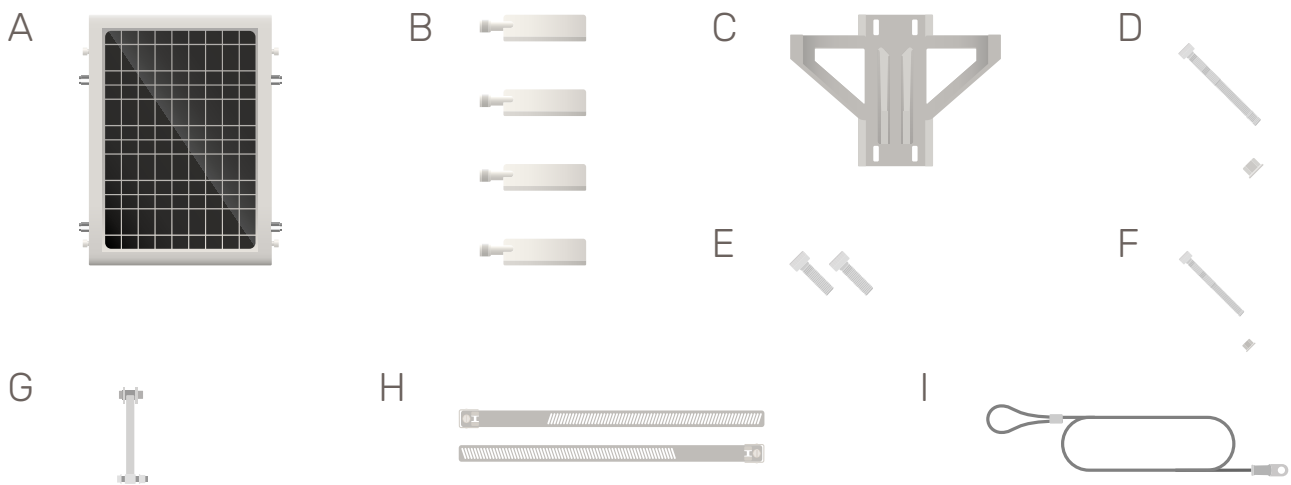


# Quick Start Guide

The NextLink is the ultimate all-in-one solar-powered Gateway. Featuring the fastest charging and longest-lasting battery in its class, the NextLink ensures seamless connectivity and enables meter data transmission virtually anywhere the sun shines.

The **pole mount** option makes it easy to mount the NextLink on a pole, without needing to worry about drilling into the surface to be secure.

## Components - Pole Mount



A) NextLink

B) Antennas

C) Pole Mount

D) M8x50mm screw with a locknut

E) M8x18mm socket head cap screws

F) Band Clamps

G) Pivot Bar

H) M8x45mm screw with locknut

I) Safety Cable

*Note: It is recommended that two people work together to complete pole mount installations.*

## Additional Resources



For full installation guide, spec sheets, and additional resources, please visit: [products.nextcenturymeters.com/nl4](https://products.nextcenturymeters.com/nl4)

### Contact Information

Phone: (844) 538-8203

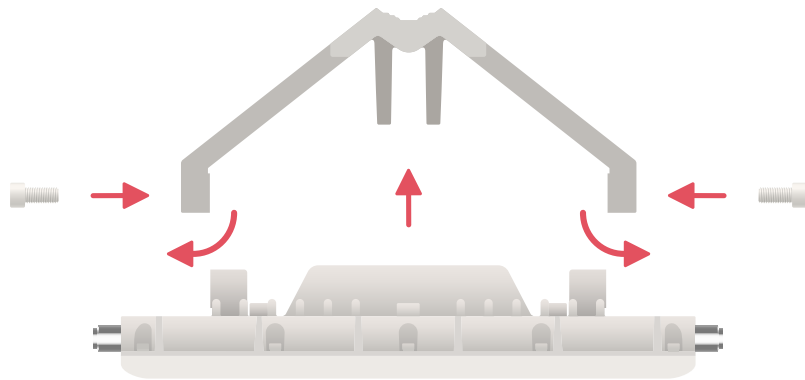
Email: [support@nextmeters.com](mailto:support@nextmeters.com)



# Installation

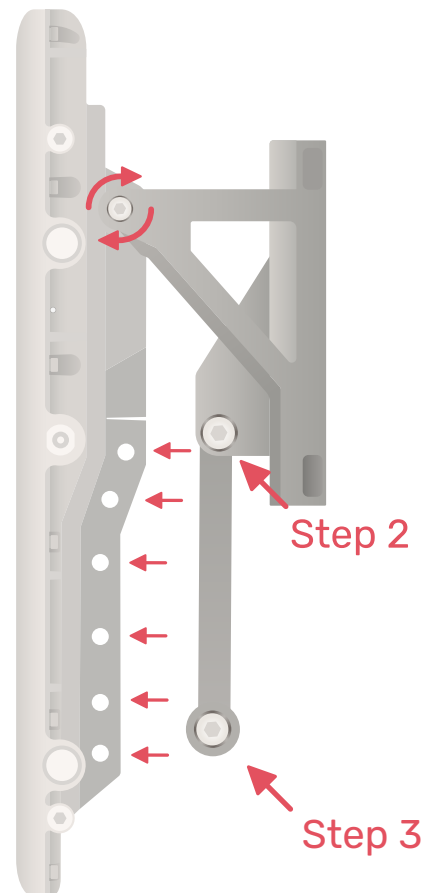
## Connect the NextLink to the Pole Mount

- 1) Hook the arms of the **pole mount** into the ears of the **NextLink** and loosely attach the arms to the ears with two (2) M8x18mm screws.



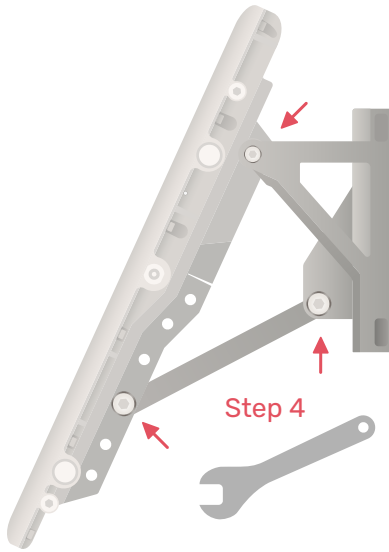
- 2) Attach one end of the **pivot bar** to the **pole mount** using the **M8x50mm bolt** and **M8 locknut**.

- 3) Attach the other end of the **pivot bar** to the **NextLink** using the **M8x45mm bolt** and **M8 locknut**. Choose the appropriate set of holes in the center of the NextLink to optimize the angle of the solar panel. Using a wrench, tighten this bolt beyond hand-tight. Do not use excessive force, which can result in over-tightening.





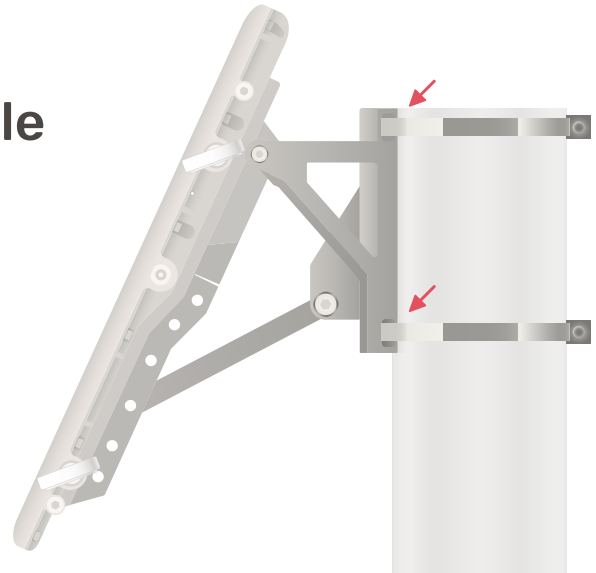
# Installation



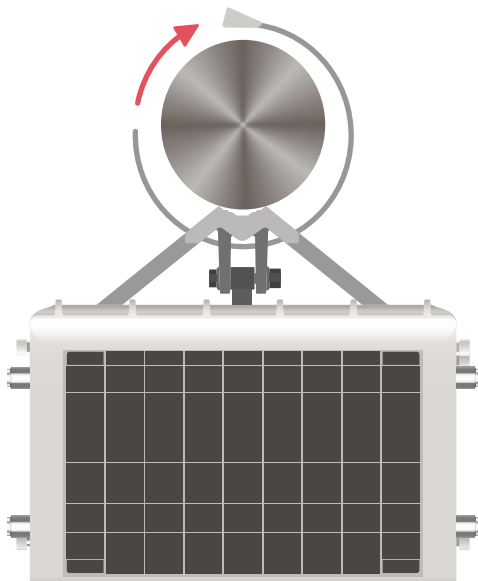
- 4) Tighten all of the bolts connecting the **NextLink** and **mounting hardware** well beyond hand-tight to ensure a secure connection.

## Connect the Mount to the Pole

- 1) Slide the **band clamps** through the slots at the top and bottom of the **pole mount**.



- 2) Fasten the **band clamps** around the pole. One person should hold the **NextLink** in place as the other tightens the band clamps around the pole.



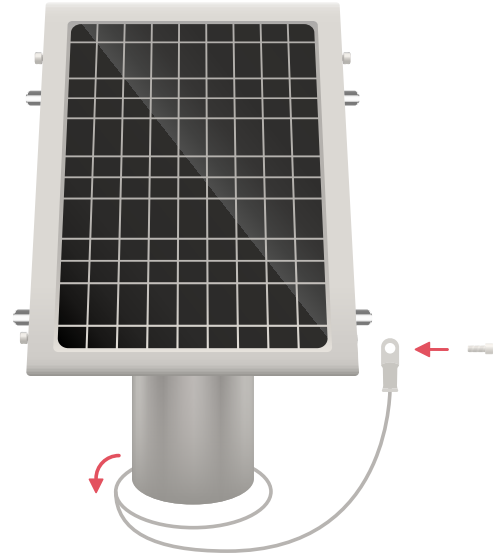
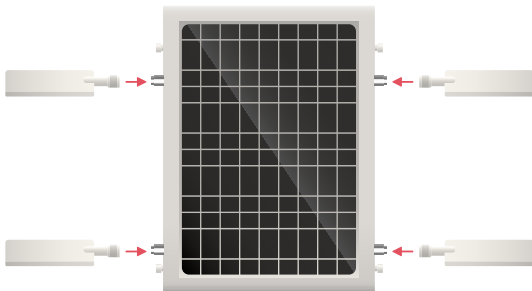
*Important: Install the band clamps to no more than 18in-lbs of torque. Do not overtighten. Do not use an impact driver to tighten. Overtightening can compromise installation integrity.*



# Installation

## Secure and Finalize Installation

- 1) Attach the **safety cable** to a solid mounting point near the **NextLink**. If no solid mounting point is available, you can loop the cable through itself around the pole where the **NextLink** is mounted.
- 2) Attach the **safety cable** to the **NextLink** by removing one of the **M8x18mm screws** and using it to bolt the end of the safety cable to the mount bracket and NextLink.



- 3) Attach the **antennas** to the connection points on the sides of the NextLink. Screw them in by hand. Any antenna can be connected to any connection point.



# Programming & Other Information

## Programming

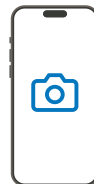
Programming associates the NextLink with its location.

To program multiple NextLinks at once, use the CSV file uploader on the NextCity web platform. For on-site programming, download the NextCity mobile app.



After you log into the app, select the correct property. Then select "Program NextLink."

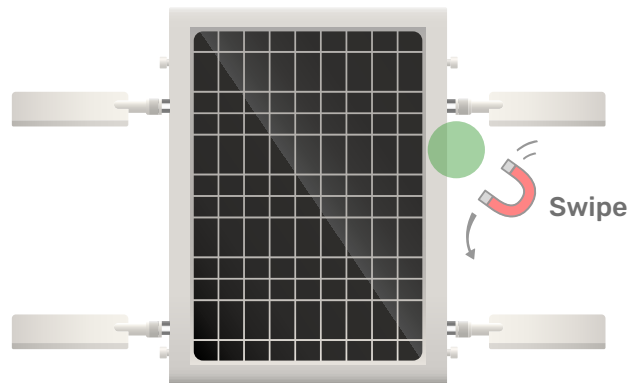
Program the NextLink by entering its serial number. You can use the app's built-in barcode scanner to scan the NextLink's barcode, or you can enter the serial number manually.



## Confirm Network Communication

Wave a magnet below the upper-right antenna to verify communication with the network. Two green LED blinks indicate successful connectivity.

If no confirmation is received, relocate the NextLink or add additional NextLinks as needed.



## LED Status Information

To check the NextLink's current battery level, hold a magnet by the LED indicator below the upper-right antenna.



**FULL BATTERY**



**LOW BATTERY**



**VERY LOW** (Radios are turned off)

Current battery levels can also be checked in the NCSS mobile app or on the NextCentury web platform.