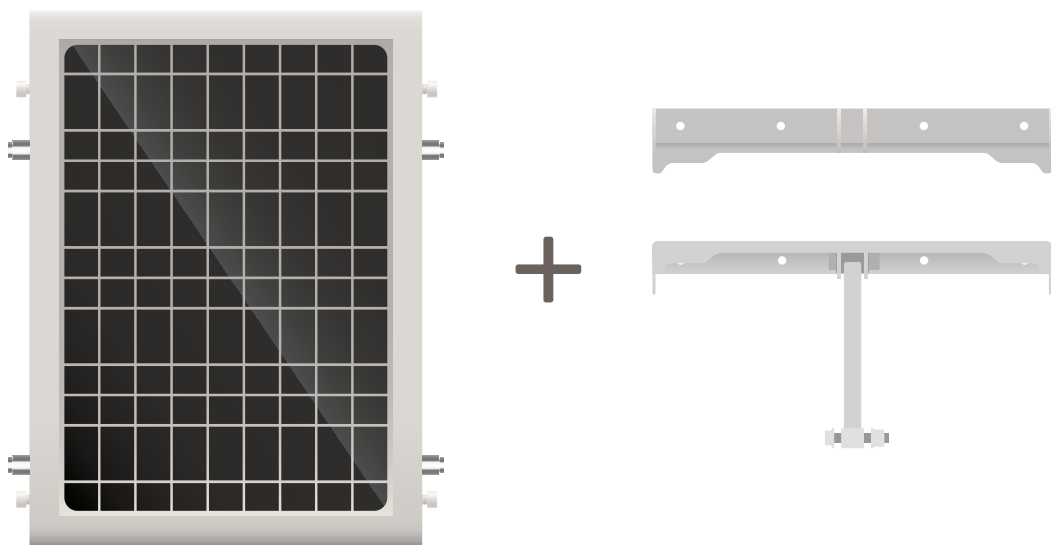




QUICK START GUIDE

WALL PIVOT MOUNT

NEXTLINK (NL4)



NextLink - Wall Pivot Mount

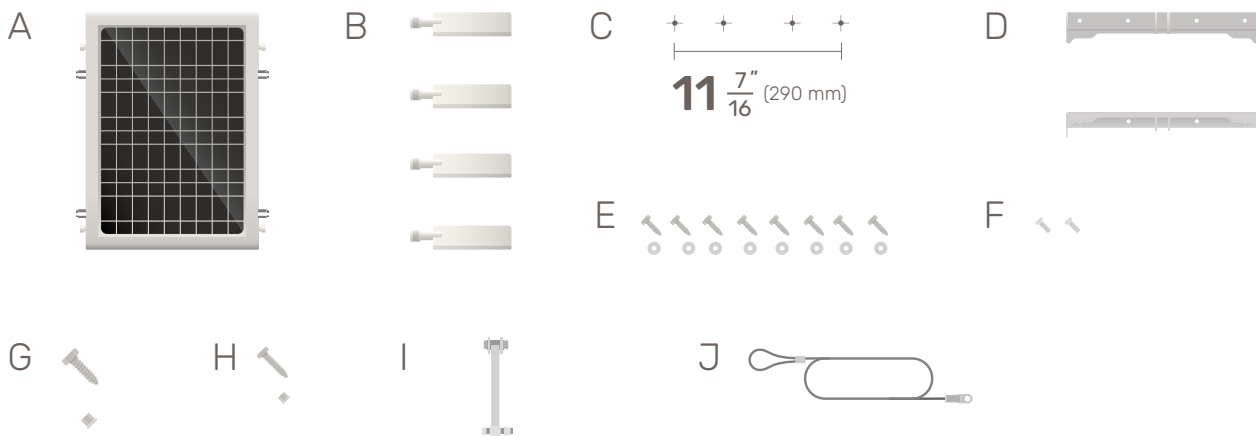
Quick Start Guide



The NextLink is the ultimate all-in-one solar-powered Gateway. Featuring the fastest charging and longest-lasting battery in its class, the NextLink ensures seamless connectivity and enables meter data transmission virtually anywhere the sun shines.

The **wall pivot mount** option is used to mount the NextLink on a wall or roof, at a customizable angle.

Components - Wall Pivot Mount



- A) NextLink B) Antennas C) Drilling Template D) Wall Pivot Mount Brackets
E) M8x30mm lag bolts & washers F) M8x18mm socket head cap screws
G) M8x35mm lag bolt with locknut H) Pivot Bar
I) M8x45mm lag bolt with locknut J) Safety Cable

Additional Resources



For full installation guide, spec sheets, and additional resources, please visit: products.nextcenturymeters.com/nl4

Contact Information

Phone: (844) 538-8203

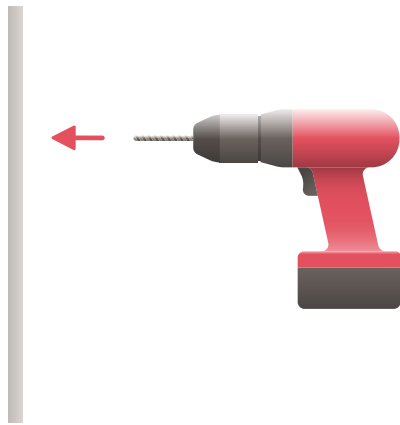
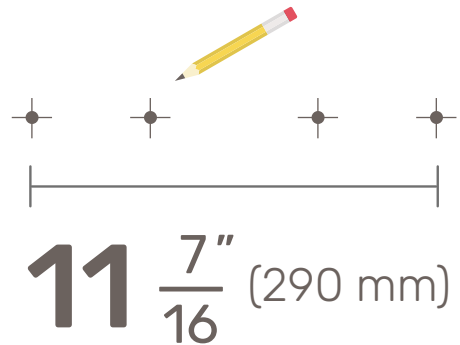
Email: support@nextmeters.com



Installation

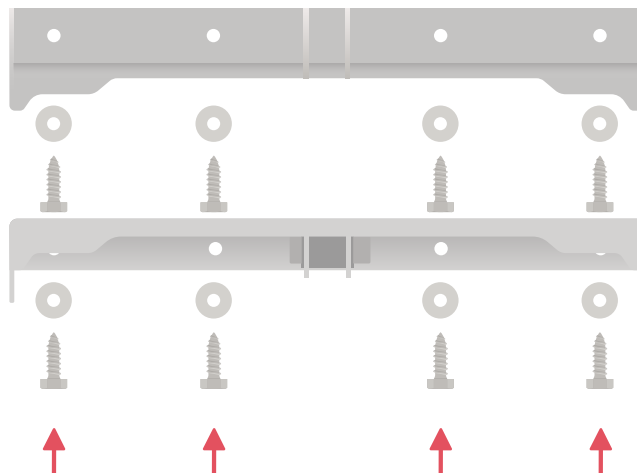
Install the Mounting Hardware

- 1) Using the pivot mount side of the **drilling template**, mark the holes for the mounting hardware on the surface where the device will be mounted.



- 2) **Drill** the holes in the mounting surface using a **1/4" drill bit**.

- 3) Attach the **wall pivot mount brackets** to the surface using eight (8) **M8x30mm lag bolts and washers**. Use four (4) bolts/washers per bracket.

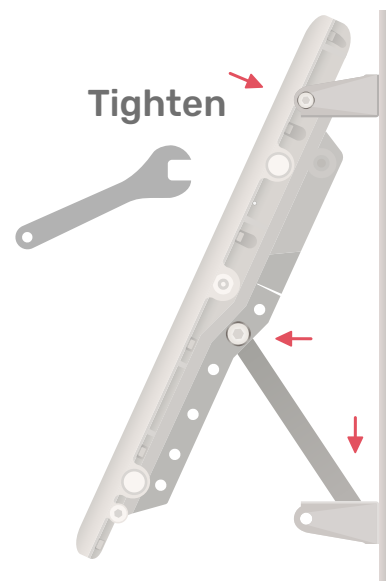
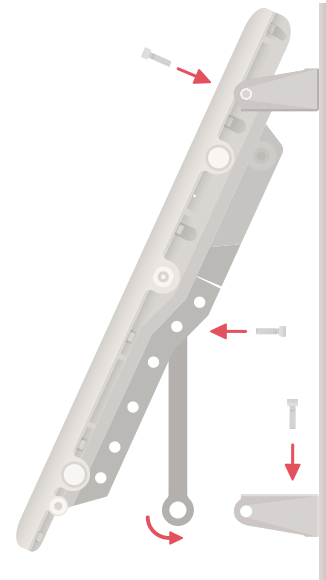




Installation

Mount the NextLink

- 1) Attach the **NextLink** to the top **wall pivot mount bracket** using two (2) **M8x18mm socket head cap screws**. At this stage, these screws should be hand tightened.
- 2) Attach one end of the **pivot bar** to the center mounting location of the lower **mount bracket** using the **M8x35mm bolt** and **M8 locknut**. At this stage, these fasteners should be hand tightened.
- 3) Attach the other end of the **pivot bar** to the **NextLink** using the **M8x45mm bolt** and **M8 locknut**. Choose the appropriate set of holes in the center of the **NextLink** to optimize the angle of the solar panel. Using a wrench, tighten this bolt beyond hand-tight. Do not use excessive force, which can result in over-tightening.
- 4) Tighten all of the bolts connecting the **NextLink** and **mounting hardware** well beyond hand-tight to ensure a secure connection.

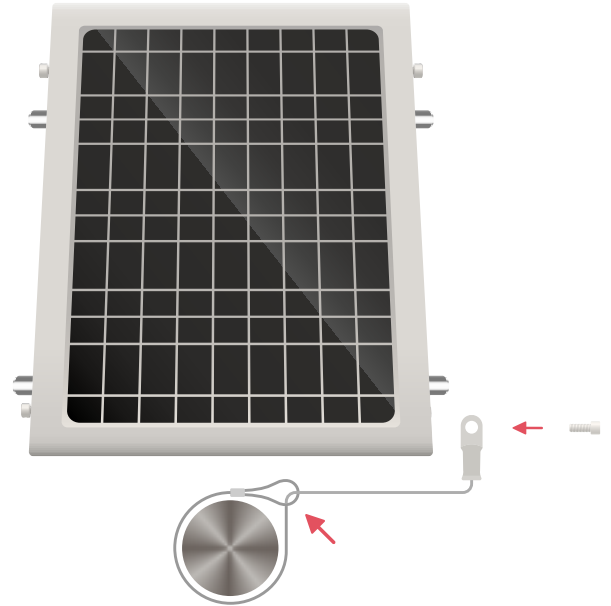




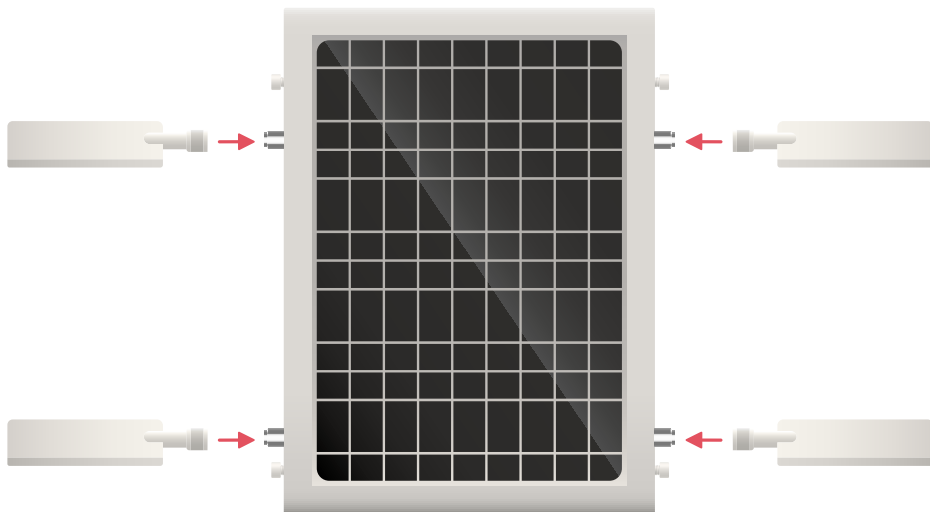
Installation

Secure and Finalize Installation

- 1) Attach the **safety cable** to a solid mounting point near the **NextLink**. Depending on your installation location, you may need to loop the cable through itself around a mounting point.
- 2) Attach the **safety cable** to the **NextLink** by removing one of the **M8x18mm screws** and using it to bolt the end of the safety cable to the mount bracket and NextLink.



- 3) Attach the **antennas** to the connection points on the sides of the NextLink. Screw them in by hand. Any antenna can be connected to any connection point.





Programming & Other Information

Programming

Programming associates the NextLink with its location.

To program multiple NextLinks at once, use the CSV file uploader on the NextCity web platform. For on-site programming, download the NextCity mobile app.




After you log into the app, select the correct property. Then select "Program NextLink."

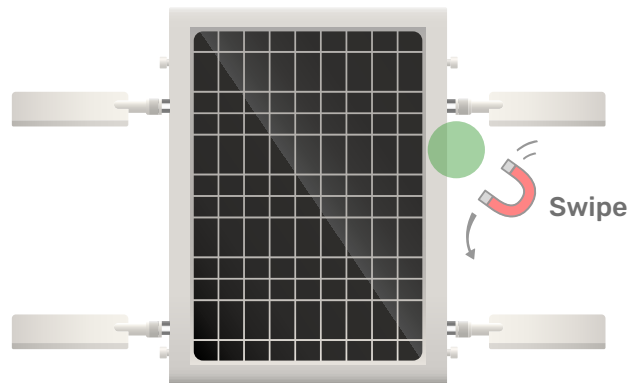
Program the NextLink by entering its serial number. You can use the app's built-in barcode scanner to scan the NextLink's barcode, or you can enter the serial number manually.



Confirm Network Communication

Wave a magnet below the upper-right antenna to verify communication with the network. Two green  LED blinks indicate successful connectivity.

If no confirmation is received, relocate the NextLink or add additional NextLinks as needed.



LED Status Information

To check the NextLink's current battery level, hold a magnet by the LED indicator below the upper-right antenna.



Current battery levels can also be checked in the NCSS mobile app or on the NextCentury web platform.