

NextRegister (NR4)

Universal Meter Register



The [NextRegister](#) is a programmable register that's compatible with most water meters in use today, bringing AMR output options to traditional systems without replacing meters.

Convenient Data Outputs

With the NextRegister, users can now easily benefit from flexible connectivity and data communications. Pulse and encoded wired output options, as well as the ability to choose BLE-powered walk-by output, allow for a variety of ways to retrieve reads.

Easy-to-Use Mobile App

The powerful and intuitive mobile application allows users to both program and collect reads from the NextRegister without the need of additional costly equipment. This enables users to both reduce expenses while increasing the efficiency of daily operations. Available for both iOS and Android devices.

Adapting to You

The NextRegister is designed to easily connect to most meter bodies styles via our click-to-connect adapter plates. The adapter plates guarantee a solid connection between the meter and the NextRegister, ensuring accurate reading and preventing tampering or damage.

Key Benefits

- Exceeds IP68 requirements
- Easy setup with app-based configuration
- Broad compatibility with existing meters & infrastructure
- Accuracy doesn't fade over time
- Field-replaceable 10-year battery life
- Seamless integration with other Next Meters products
- Customizable alerts
- Compact, durable design

Warranty

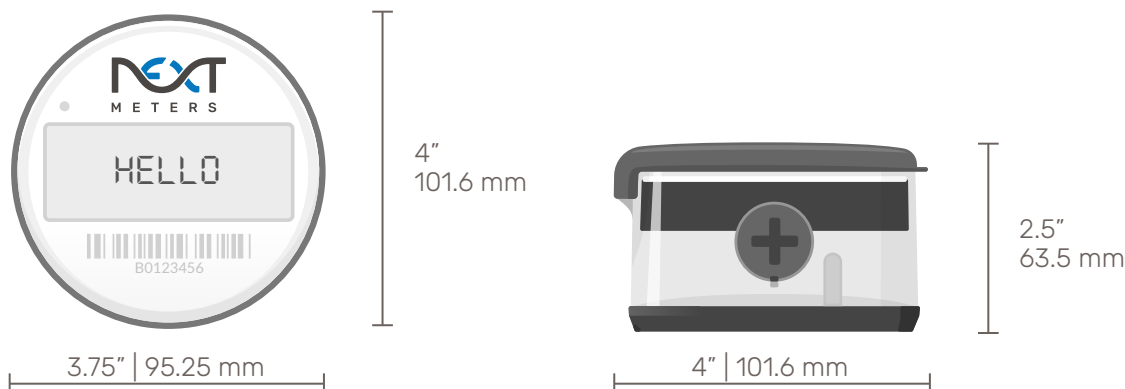
- 3-year standard warranty



Specifications & Installation Guide

Specifications

Dimensions



Certifications

FCC: 2AZJ7-NR4 | IC: 27937-NR4

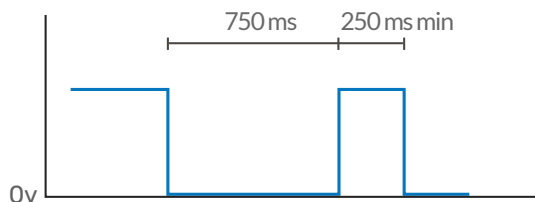
Meter Compatibility

Compatible with most modern mechanical meter body types, including positive displacement (PD), multi-jet (MJ) and turbine.

Integration adapter and seal included to ordering specification. Ask your distributor for more details.

Pulse Output

Clean solid state driven 750ms pulse output open-drain signal. Min 3vdc/Max 15vdc.



Pulse Output Signal Diagram

Encoded Output

Wired encoded output can be used with any third-party transmitters* or reading devices that support the following encoded protocols:

- Neptune (8 digit extended)
- AMCO/Elster K-frame
- Sensus 3-wire / 2-wire touchpad

*Some third-party transmitters may not actively relay optional alerts. Alerts are still logged and can be retrieved with direct reading.

Wireless

Built-in Bluetooth Low Energy (BLE) communication for configuration and walk-by reading option

Battery

Preinstalled, field-replaceable CR18505 lithium battery
10-year battery life (based on stable environmental conditions and default configuration)

Operating Environment

-4°F to 140°F | -20°C to 60°C
IP68 rated for outdoor installations

Warranty

Next Meters warrants the NR4 to be free from defects in materials and workmanship for a period of three years from date of manufacture when installed in accordance with these instructions and with limitations as detailed in the complete warranty.

For full warranty information, please refer to the Data Gathering System warranty document.

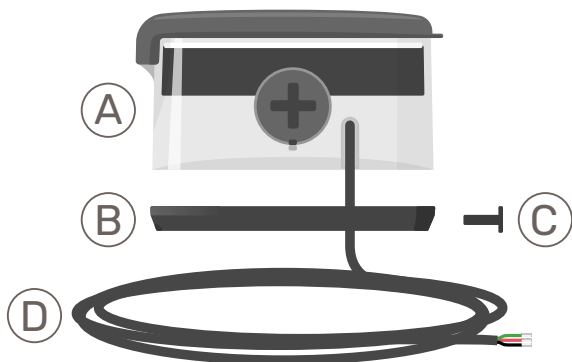
Due to continuous product improvement and the need to comply with evolving regulations, Next Meters reserves the right to modify product specifications without prior notice.

Specifications & Installation Guide



Installation

Package Contents



- A) NextRegister
- B) Meter Adapter Plate
- C) Security Pin
- D) Output Wire

Mobile App

Use the Next Meters app to configure NextRegister devices and collect reads.



Remove the Old Register

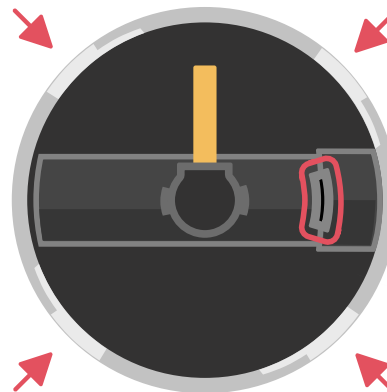
Remove the security pin or screw from the register and rotate and/or pull the register up to remove from the meter body.



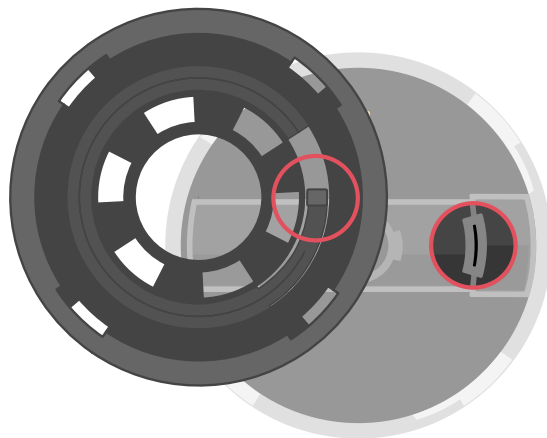
Note: Some meter models will require additional tools to help remove the register. See manufacturer instructions or contact Next Meters Product Support for additional tips.

Attach the Adapter Plate

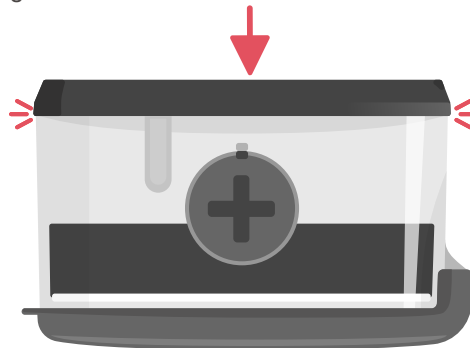
Locate the slots and the post on the underside of the NextRegister.



Align the Adapter Plate and locking lever over the post.



Press down to snap the Adapter Plate flush to the NextRegister.

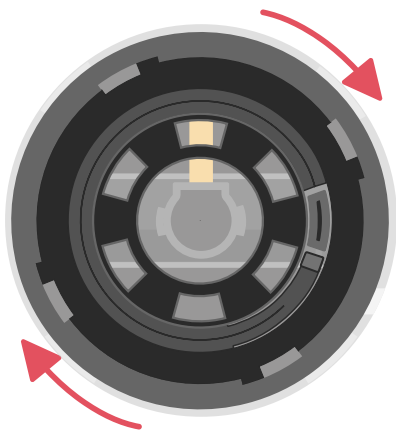


Specifications & Installation Guide

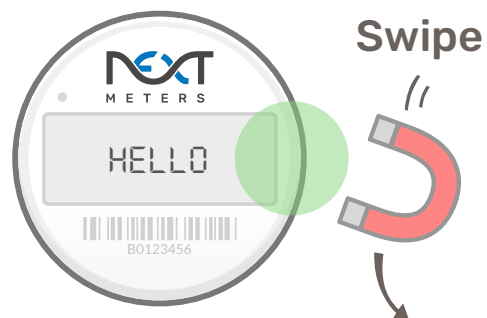


Installation (cont.)

Rotate the Adapter Plate clockwise until the lever falls and locks into place.



Swipe a magnet next to the right side of the register. The gear icon will display on the LCD showing it is ready to connect.

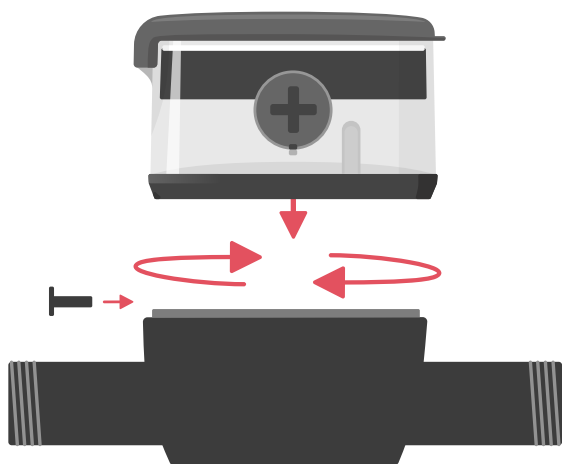


Attach the NextRegister to the Meter

Set the NextRegister onto the meter body and slowly rotate to find the alignment grooves.

Rotate 1/8th turn to secure the NextRegister to the meter.

Firmly insert the Security Pin until flush.

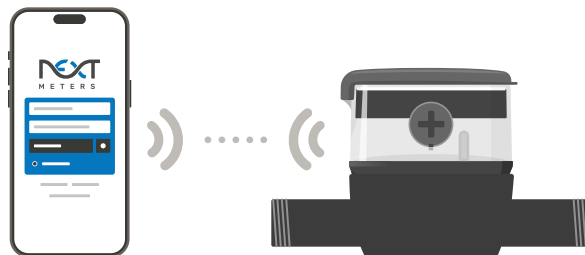


If the Security Pin does not fit, use the security screw that came with the meter body instead.

Configuration

The NextRegister's configuration must be set for the meter body it will be paired with. If your Register was not ordered pre-configured, then you can easily configure it using your mobile device.

In the Next Meters Mobile App, select the Connect tab, then "Connect to a Device". Follow the prompts to connect.



Select the meter type, unit of measurement, and output method for the meter the NextRegister is paired with. You can also set up desired alerts and walk-by reading.

Configuration Options

Wire Output

- Pulse Output
- Encoded Protocol
 - Sensus
 - Neptune
 - Elster/AMCO

Unit of Measure

- Gallons
- Cubic Feet
- Liters
- Cubic Meters

Alerts

- Leak Alert (icon shows when leak is occurring)
- Freeze Alert (icon shows if freezing)

Specifications & Installation Guide



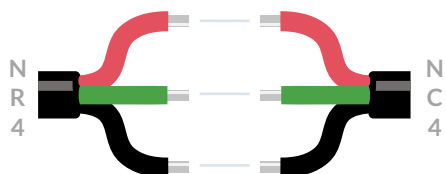
Wiring

Wiring

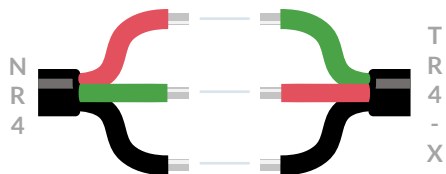
When installing a NextRegister with bare-wire connection, match the color coding to the protocol of your transmitter.

Next Meters Devices

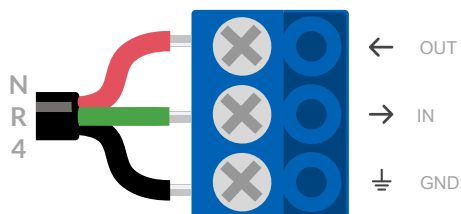
NR4 to NC4



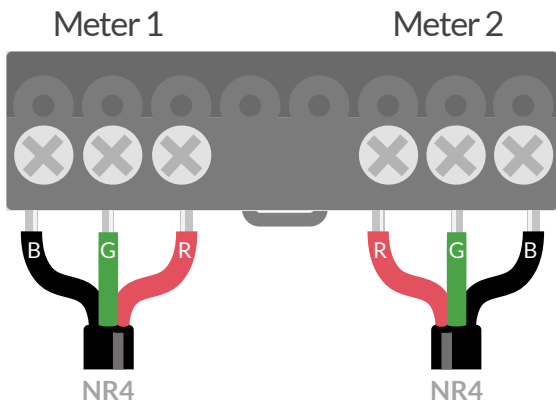
NR4 to TR4-X



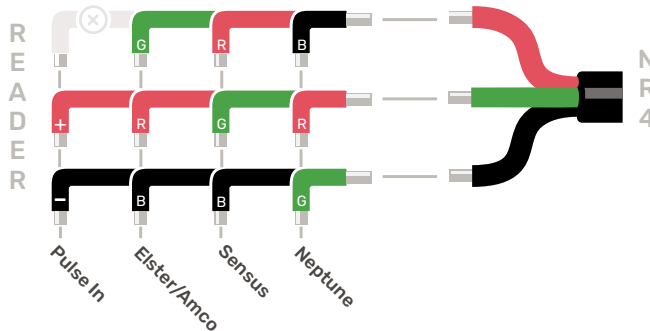
NR4 to TR4



NR4 to RR4



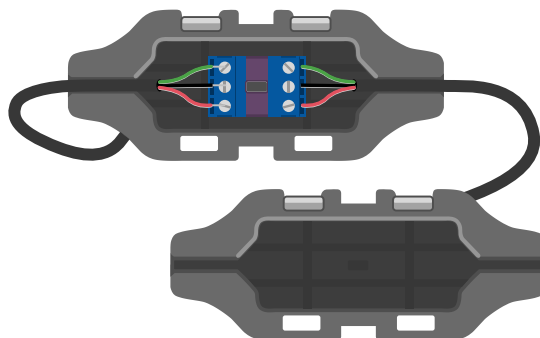
Third-Party Devices



Splice Connection

To splice the bare wire connections, use the Field Splice Kit (available separately).

1. Secure the NextRegister wires and transmitter wires using the screw terminals as shown in the relevant wiring guide.
2. Ensure the transmitter is able to read the NextRegister to verify the wiring.
3. Snap the cover closed to seal.

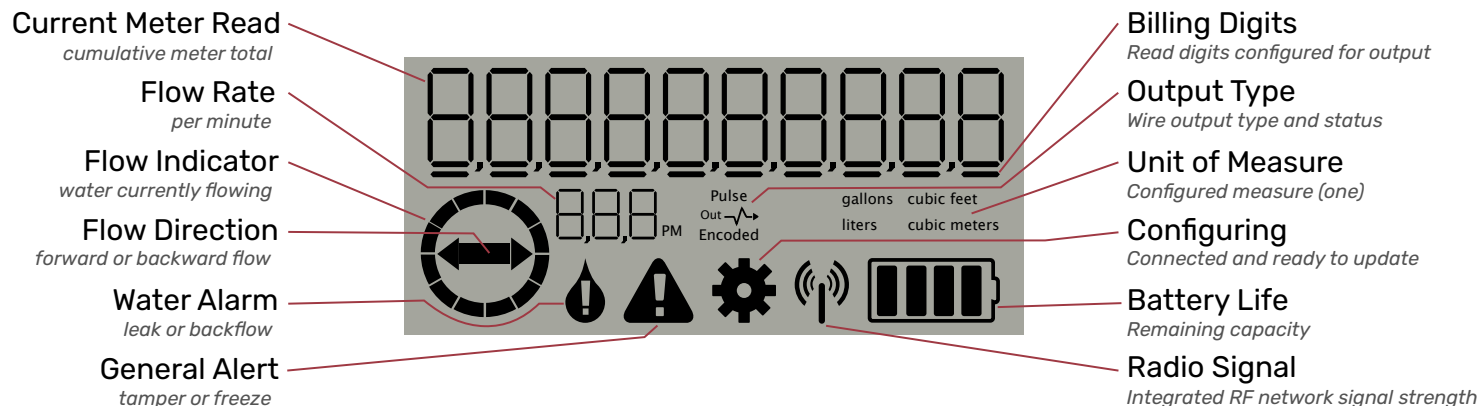


Specifications & Installation Guide



Additional Information

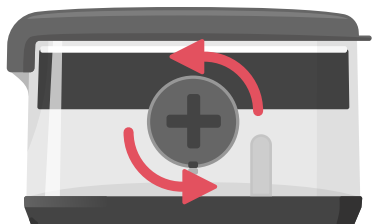
LCD Display



Battery Replacement

The battery cap can be removed with a large screwdriver.

Rotate counterclockwise to remove the battery cap.



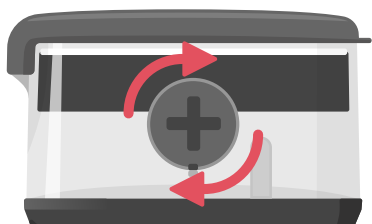
Pull the battery from the compartment.

Disconnect the battery connector.

Connect the new battery.

Place the battery back into the compartment.

Replace the battery cap. Rotate clockwise until the alignment arrows meet.



Contact Information

For additional information or assistance, please visit support.nextmeters.com or contact our Product Support Team:

(844) 538-8203

support@nextmeters.com